

PIVOT-35

3-CIRCUIT TRACK LED FIXTURE
CYLINDRICAL



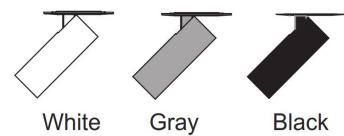
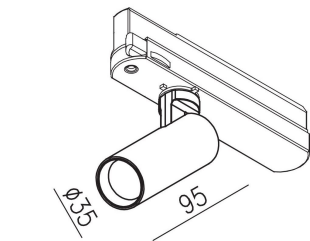
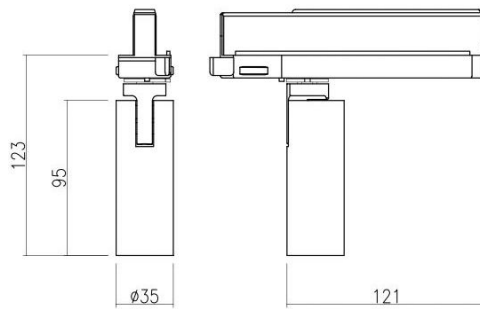
description

Features

- Adjustable rotating angle 355°
- Adjustable Tilt angle 90°
- Operating temperature -20° to +40°C

Options

- 90 CRI (special request)



technical information

Type	PIVOT-35
Diameter (mm)	Ø35 mm
Wattage (watt)	7 watt
Colour Temp	3000K
Output	390 lm
Efficacy	56 lm/w
CRI	80 CRI

ordering information

Fitting	Output (Watt)	Colour Temp	Optics	Finish	Dimming
PIVOT-35	7 7 Watts	27K 2700K	12D 12° Beam	WH Matte White	ND Non-Dim
		3K 3000K	18D 18° Beam	BK Matte Black	PC Mains Dim
		4K 4000K	25D 25° Beam		DALI Dali Dim

Specifications and Dimensions subject to change without notice

Consult your representative for additional options and finishes