

PIN-81

3-CIRCUIT TRACK LED FIXTURE
CYLINDRICAL



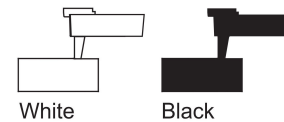
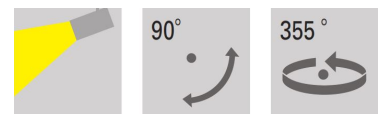
description

Features

- Adjustable rotating angle 355°
- Adjustable Tilt angle 90°
- Operating temperature -20° to +40°C

Options

- 90 CRI (special request)



technical information

Type	PIN-81-20W	PIN-81-28W
Diameter (mm)	Ø81 mm	Ø81 mm
Wattage (watt)	20W	28W
Colour Temp	3000K	3000K
Output	2244 lm	3000 lm
Efficacy	112 lm/w	107 lm/w
CRI	80 CRI	80 CRI

ordering information

Fitting	Output (Watt)	Colour Temp	Optics	Finish	Dimming
PIN-81	20 20 Watts	27K 2700K	18D 18° Beam	WH Matte White	ND Non-Dim
	28 28 Watts	3K 3000K	25D 25° Beam	BK Matte Black	PC Mains Dim
		4K 4000K	40D 40° Beam		DALI Dali Dim

Specifications and Dimensions subject to change without notice

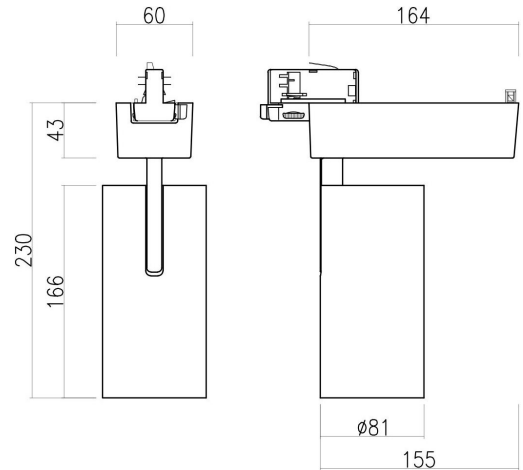
Consult your representative for additional options and finishes

PINNACLE

3-CIRCUIT TRACK LED FIXTURE
CYLINDRICAL



PIN-81 20 WATT



h(m)	E(lx)	D(mm)
1	14893	312
2	3723	624
3	1655	936

COB 2,000lm 3,000K
5635
17.7°
cd/1000lm C180..... Co



h(m)	E(lx)	D(mm)
1	8470	453
2	2118	905
3	941	1358

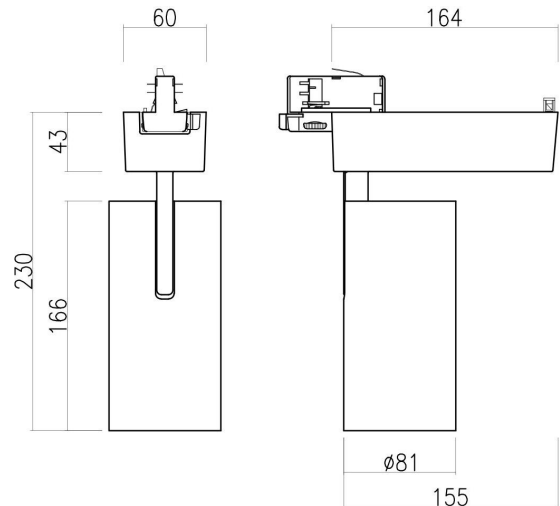
COB 2,000lm 3,000K
3205
25.5°
cd/1000lm C180..... Co



h(m)	E(lx)	D(mm)
1	4780	705
2	1195	1411
3	531	2116

COB 2,000lm 3,000K
1809
38.9°
cd/1000lm C180..... Co

PIN-81 28 WATT



h(m)	E(lx)	D(mm)
1	19683	313
2	4921	626
3	2187	940

COB 3,000lm 3,000K
5318
17.8°
cd/1000lm C180..... Co



h(m)	E(lx)	D(mm)
1	10984	461
2	2746	923
3	1220	1384

COB 3,000lm 3,000K
2968
26.0°
cd/1000lm C180..... Co



h(m)	E(lx)	D(mm)
1	6340	713
2	1585	1426
3	704	2139

COB 3,000lm 3,000K
1713
39.2°
cd/1000lm C180..... Co

Specifications and Dimensions subject to change without notice
Consult your representative for additional options and finishes