

PIN-102

3-CIRCUIT TRACK LED FIXTURE
CYLINDRICAL



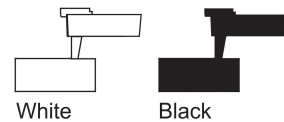
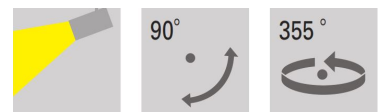
description

Features

- Adjustable rotating angle 355°
- Adjustable Tilt angle 90°
- Operating temperature -20° to +40°C

Options

- 90 CRI (special request)



technical information

Type	PIN-102-27W	PIN-102-44W
Diameter (mm)	Ø102 mm	Ø102 mm
Wattage (watt)	27W	44W
Colour Temp	3000K	3000K
Output	2500 lm	3800 lm
Efficacy	92 lm/w	86 lm/w
CRI	80 CRI	80 CRI

ordering information

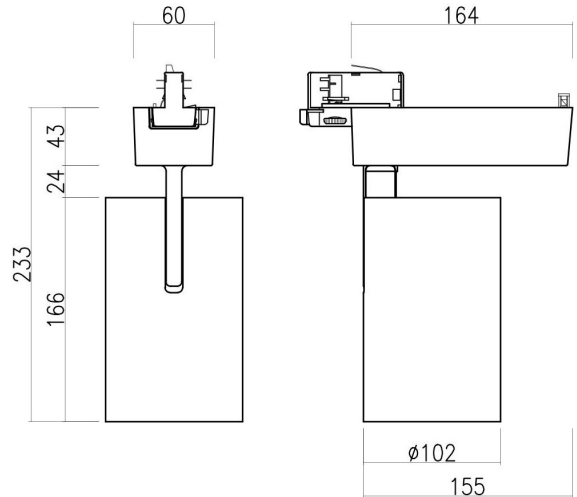
Fitting	Output (Watt)	Colour Temp	Optics	Finish	Dimming
PIN-60	27 27 Watts	27K 2700K	25D 25° Beam	WH Matte White	ND Non-Dim
	44 44 Watts	3K 3000K	40D 40° Beam	BK Matte Black	PC Mains Dim
		4K 4000K			DALI Dali Dim

PINNACLE

3-CIRCUIT TRACK LED FIXTURE
CYLINDRICAL



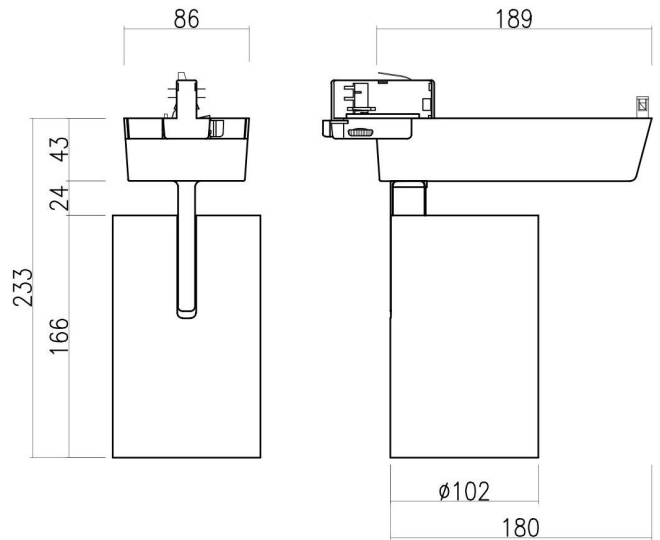
PIN-100 27 WATT



	90°	180°	90°	h(m)	E(lx)	D(mm)
						25.1°
COB	15°	2441	15°	1	8118	445
3,000lm	cd/1000lm C180..... C0-			2	2029	891
3,000K				3	902	1336

	90°	180°	90°	h(m)	E(lx)	D(mm)
						37.4°
COB	15°	1646	15°	1	5472	678
3,000lm	cd/1000lm C180..... C0-			2	1368	1355
3,000K				3	608	2033

PIN-100 44 WATT



	90°	180°	90°	h(m)	E(lx)	D(mm)
						25.2°
COB	15°	2309	15°	1	12284	447
4,000lm	cd/1000lm C180..... C0-			2	3071	894
3,000K				3	1365	1341

	90°	180°	90°	h(m)	E(lx)	D(mm)
						37.6°
COB	15°	1573	15°	1	8369	681
4,000lm	cd/1000lm C180..... C0-			2	2092	1361
3,000K				3	930	2042

Specifications and Dimensions subject to change without notice
Consult your representative for additional options and finishes