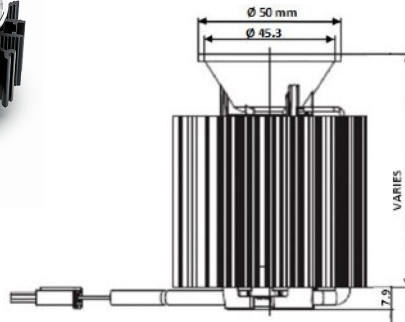
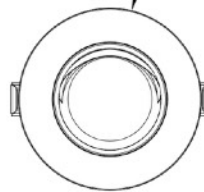
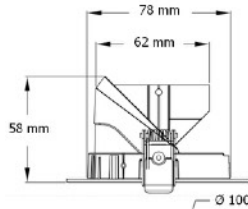


AWA-WD

RECESSED Warm/Dim LED DOWNLIGHT
Round Adjustable Wide Aperture



CUT OUT



description

Aiming

Adjustable downlight with 25°, 34° and 48° optic options

Colour Temperature Options

- Warm/Dim (2000K - 3000K)

Special Features

Deep regressed LED position for glare control

Effects Devices

Designed to accept 2 additional effects devices

Trim plate

Plaster ceiling installation with proud trim

Retention

Spring clips accommodate varying ceiling thicknesses and ensure snug fit against ceiling.

technical information

lamp module	VS active line luga	
Wattage	1.6 @ 50mA	12.8 @ 350mA
Colour Temp	2000K	3000K
Luminous Flux**	95 lm	900 lm
Efficacy	59 lm/w	70 lm/w
Colour Rendering	90 CRI	90 CRI

** Measure of the useful power emitted by a light source (amount of light produced out of the fixture).

ordering information

FITTING	WATTAGE	COLOUR TEMP	OPTICS	FINISH COLOUR
---------	---------	-------------	--------	---------------

AWA-WD

13 (Watts)

2/3K Warm/Dim (2K-3K)

25D 25 Degree
34D 34 Degree
48D 48 Degree

WH Matte White
BK Matte Black
SS Stainless

** IP44 rated also available

Specifications and Dimensions subject to change without notice
Consult your representative for additional options and finishes