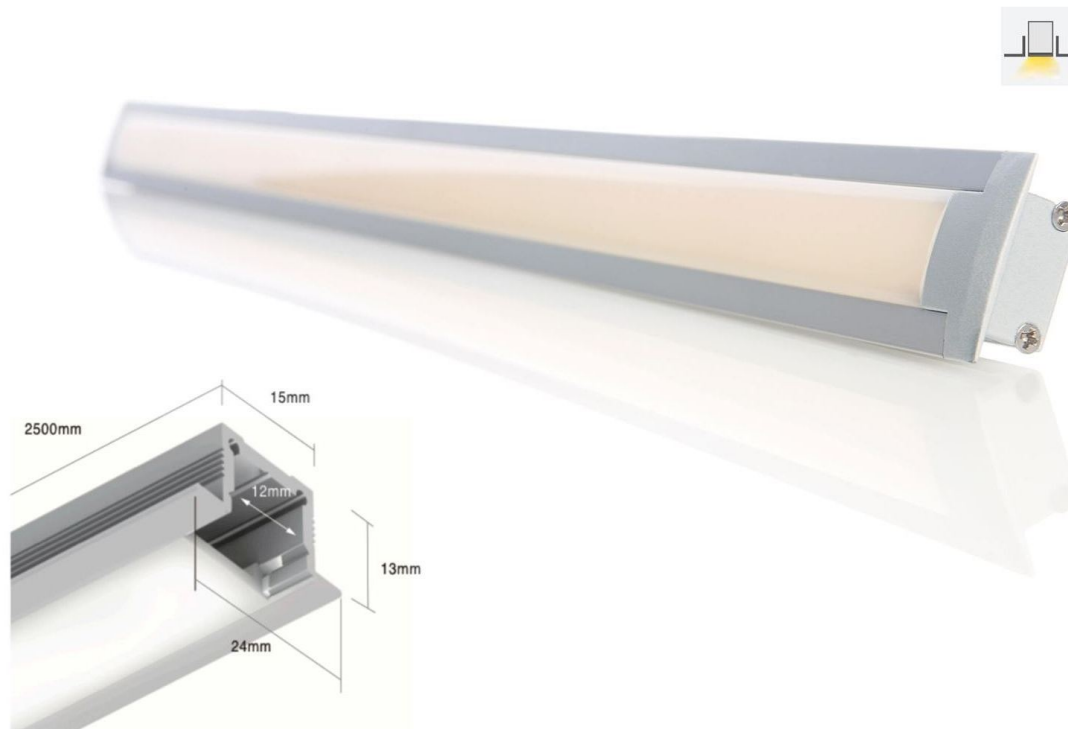


VUELITE | THETA

LED LINEAR EXTRUSION | IP20, IP44, IP65



THETA | RECESS MOUNT



FEATURES

- Flexible LED strip within aluminium extrusion
- 120° viewing angle
- Dot-Free
- **IP20, IP44, IP65**

Colour Temperature Options

- 2700K - V Warm White
- 3000K - Warm White
- 4000K - Neutral White
- TW - Tunable White (2200K-6500K)

Installation

- Recess Mount

Colour Rendering Index

- 90CRI **standard
- 80CRI available upon request

Cutting Increments

- 33.33mm (White)

VUELITE

LED LINEAR EXTRUSION



TECHNICAL INFORMATION

LED QTY (chip /Mt)	WATTAGE	CRI**	COLOUR TEMP	OUTPUT / MT (Initial lumens)	ALPHA**	BETA**	DELTA**	DELTA-LG**	EPSILON**	OMEGA**	OMICRON**	THETA**	THETA-LG**
210	6 watts	CRI 90+	2700K	750 lm	420 lm	420 lm	503 lm	503 lm	308 lm	585 lm	563 lm	420 lm	420 lm
210	6 watts	CRI 90+	3000K	810 lm	454 lm	454 lm	543 lm	543 lm	332 lm	632 lm	608 lm	454 lm	454 lm
210	6 watts	CRI 90+	4000K	840 lm	470 lm	470 lm	563 lm	563 lm	344 lm	655 lm	630 lm	470 lm	470 lm
210	9 watts	CRI 90+	2700K	1125 lm	630 lm	630 lm	754 lm	754 lm	461 lm	878 lm	844 lm	630 lm	630 lm
210	9 watts	CRI 90+	3000K	1215 lm	680 lm	680 lm	814 lm	814 lm	498 lm	948 lm	911 lm	680 lm	680 lm
210	9 watts	CRI 90+	4000K	1260 lm	706 lm	706 lm	844 lm	844 lm	517 lm	983 lm	945 lm	706 lm	706 lm
210	12 watts	CRI 90+	2700K	1500 lm	840 lm	840 lm	1005 lm	1005 lm	N/A	1170 lm	1125 lm	840 lm	840 lm
210	12 watts	CRI 90+	3000K	1620 lm	907 lm	907 lm	1085 lm	1085 lm	N/A	1264 lm	1215 lm	907 lm	907 lm
210	12 watts	CRI 90+	4000K	1680 lm	941 lm	941 lm	1126 lm	1126 lm	N/A	1310 lm	1260 lm	941 lm	941 lm
210	15 watts	CRI 90+	2700K	1875 lm	1050 lm	1050 lm	1256 lm	1256 lm	N/A	1463 lm	1406 lm	1050 lm	1050 lm
210	15 watts	CRI 90+	3000K	2025 lm	1134 lm	1134 lm	1357 lm	1357 lm	N/A	1580 lm	1519 lm	1134 lm	1134 lm
210	15 watts	CRI 90+	4000K	2100 lm	1176 lm	1176 lm	1407 lm	1407 lm	N/A	1638 lm	1575 lm	1176 lm	1176 lm
210	18 watts	CRI 90+	2700K	2250 lm	1260 lm	1260 lm	1508 lm	1508 lm	N/A	1755 lm	1688 lm	1260 lm	1260 lm
210	18 watts	CRI 90+	3000K	2430 lm	1361 lm	1361 lm	1628 lm	1628 lm	N/A	1895 lm	1823 lm	1361 lm	1361 lm
210	18 watts	CRI 90+	4000K	2520 lm	1411 lm	1411 lm	1688 lm	1688 lm	N/A	1966 lm	1890 lm	1411 lm	1411 lm
210	21 watts	CRI 90+	2700K	2625 lm	1470 lm	1470 lm	1759 lm	1759 lm	N/A	2048 lm	1969 lm	1470 lm	1470 lm
210	21 watts	CRI 90+	3000K	2835 lm	1588 lm	1588 lm	1899 lm	1899 lm	N/A	2211 lm	2126 lm	1588 lm	1588 lm
210	21 watts	CRI 90+	4000K	2940 lm	1646 lm	1646 lm	1970 lm	1970 lm	N/A	2293 lm	2205 lm	1646 lm	1646 lm
84	20 watts	CRI 90+	RGBW	N/A	RGBW	RGBW	RGBW	RGBW	N/A	RGBW	RGBW	N/A	RGBW
210	12 watts	CRI 90+	TW 2200K - 6500K		✓	✓	✓	✓	N/A	✓	✓	✓	✓
210	18 watts	CRI 90+	TW 2200K - 6500K		✓	✓	✓	✓	N/A	✓	✓	✓	✓
TW - TUNABLE WHITE 2200K-6500K													

Specifications and Dimensions subject to change without notice
 Consult your representative for additional options and finishes

VUELITE

LED LINEAR EXTRUSION

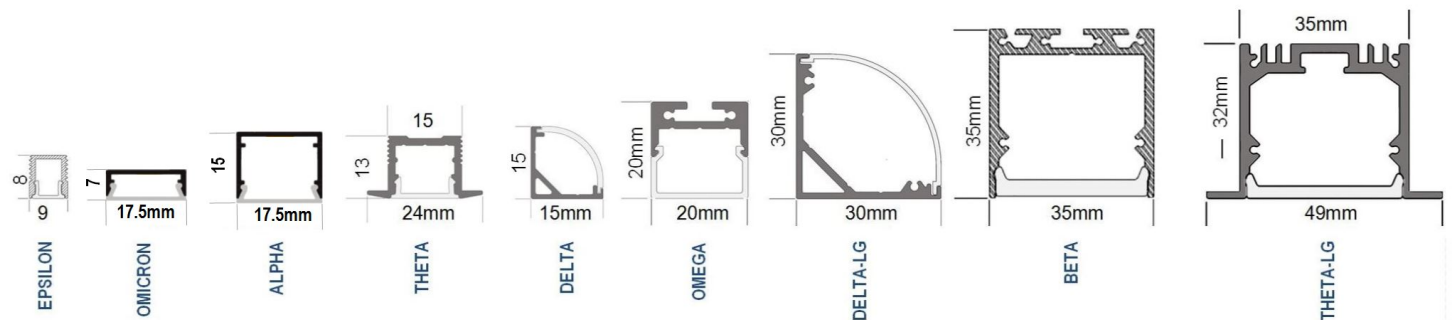


ORDERING INFORMATION

(Refer to Technical information for Ordering Details)



FITTING TYPE		IP RATING		OUTPUT		COLOUR TEMPERATURE		FINISH		DIMMING	
THETA	Theta	—	IP20	6	6 watts	27K	2700K V Warm White	—	Aluminium	—	Non -Dim
		IP44	IP44	9	9 watts	3K	3000K Warm White	WH	White	PC	Phase Cut Dim
		IP65	IP65	12	12 watts	4K	4000K Neutral White	BK	Black	DIM	1-10V Dim
				15H	15 watts	TW	2200K-6500K			DALI	DALI
				18	18 watts					DMX	DMX
				21	21 watts					CAS	Casambi



Specifications and Dimensions subject to change without notice
 Consult your representative for additional options and finishes