

RD140 Deco

Specification Sheet



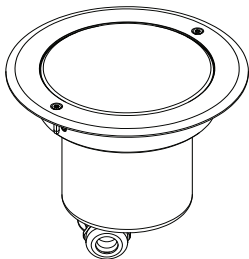
Ordering Information							
Model	Installation	Power	Color Temp.	Optics	Voltage	Options ¹	Options ²
RD140	TM	H	27 30 40 TW DW	SP FL W	24 230* 230D* 230V*	C* C3 C6 C9	SB DB



Application

- Architectural and landscape lighting
- Large interior lobby spaces
- Recessed floor installation
- Gravel, soil or concrete
- UL STD 1598, IP67, Wet location

Trim (TM)
Ø140 mm
(5.5")



Luminaire

- Sustainable design, screw in replaceable LED module on site with plug and play
- High performance optics
- IP67, UL STD 1598, wet location
- Drive over rated 1500 kg (3300lb)
- Integrated power supply (option)
- Clear tempered glass 15mm (5/8") thick
- Stainless steel type 304 fixture body
- Installation with type A2 screws
- Supplied with oil and water resistant 0.3m (1') feed cable standard, single color 2mm² - 2x0.82mm² (18AWG)
- IK10

Size

- ø 140mm (5.5"), H 173,5mm (6.8")

Installation

- Trim (TM)

Power

- H - 13W 2700K - 4000K, 1160 lm (shallow beam)
- H - 13W 2700K - 4000K, 600 lm (deep beam)

POWER SUPPLIES

List of proposed power supplies that are to be ordered separately.
Please click [link](#) for list of available drivers

Click [here](#) for voltage drop and distances.

Color Temperature

- 27 - 2700K
- 30 - 3000K
- 40 - 4000K
- TW - 1800 - 4000K (tunable white)
- DW - 1800 - 4000K (dim to warm)
- 2 Step MacAdam
- CRI: > 85

Optics

- SP - Spot - 17°
- FL - Flood - 30°
- W - Wide - 50°

Voltage

- 24 - 24VDC fixture voltage
- 230 - 220-240VDC fixture voltage (on/off)
- 230D - 220-240VDC fixture voltage /Dali
- 230V - 220-240VDC fixture voltage /1-10V

*Power supply located in the IP67 back box

Options¹

- C* - standard feed cable 0.3m (1')
- C3 - luminaire supplied with 3m (10') feed cable * 24V only
- C6 - luminaire supplied with 6m (20') feed cable * 24V only
- C9 - luminaire supplied with 9m (30') feed cable * 24V only

Option² glare control

- SB-Shallow Beam-regressed optics 35mm
- DB-Deep Beam -regressed optics 65mm (super low glare)

Installation housing

- RD140C

International: +385 52 255 324 filixlighting.com

info@filixlighting.com

Europe/GmbH: info@filixlighting.com

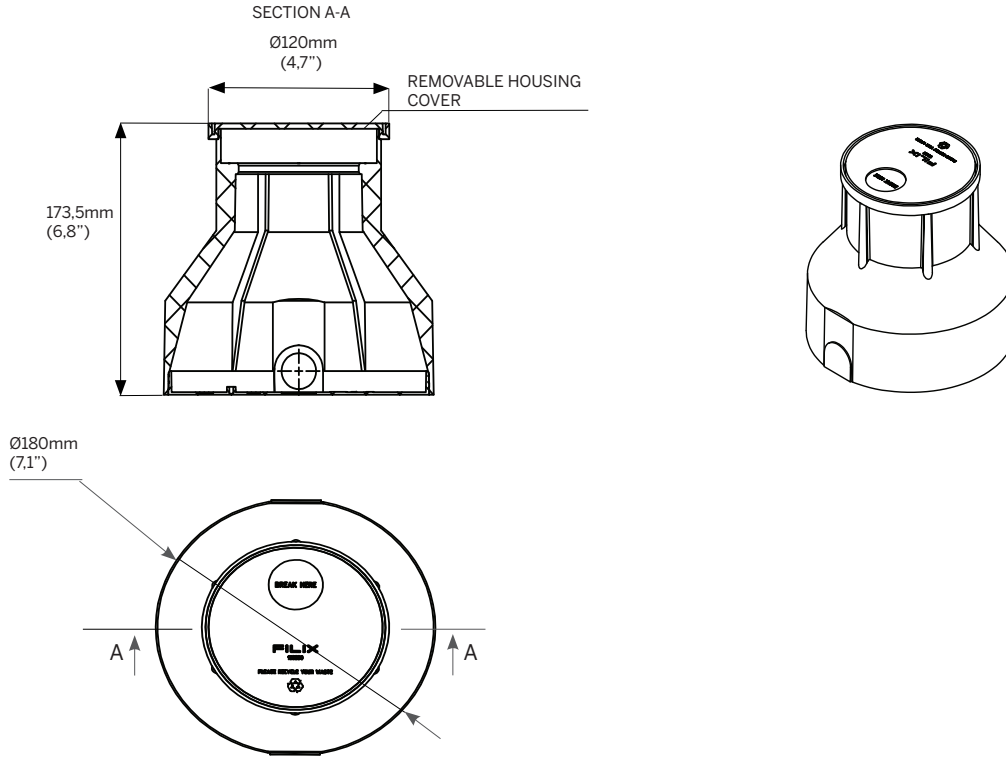
Europe MENA: info@filixlighting.com

North America: filixlighting-usa.com info@filixlighting.com

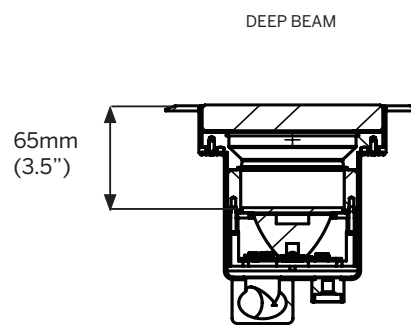
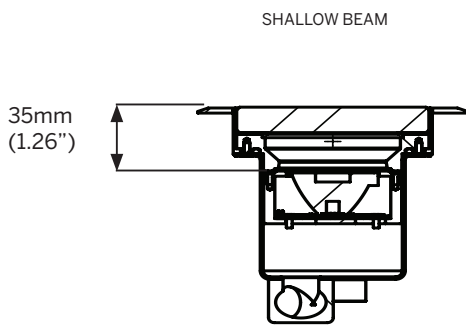
Filix reserves the right to make technical changes without notice.

Installation housing -RD140C - Concrete installation

Installation housing



Glare control SB / DB



International: +385 52 255 324 filixlighting.com
info@filixlighting.com
 Europe/GmbH: info@filixlighting.com
 Europe MENA: info@filixlighting.com
 North America: filixlighting-usa.com info@filixlighting.com

Filix reserves the right to make technical changes without notice.