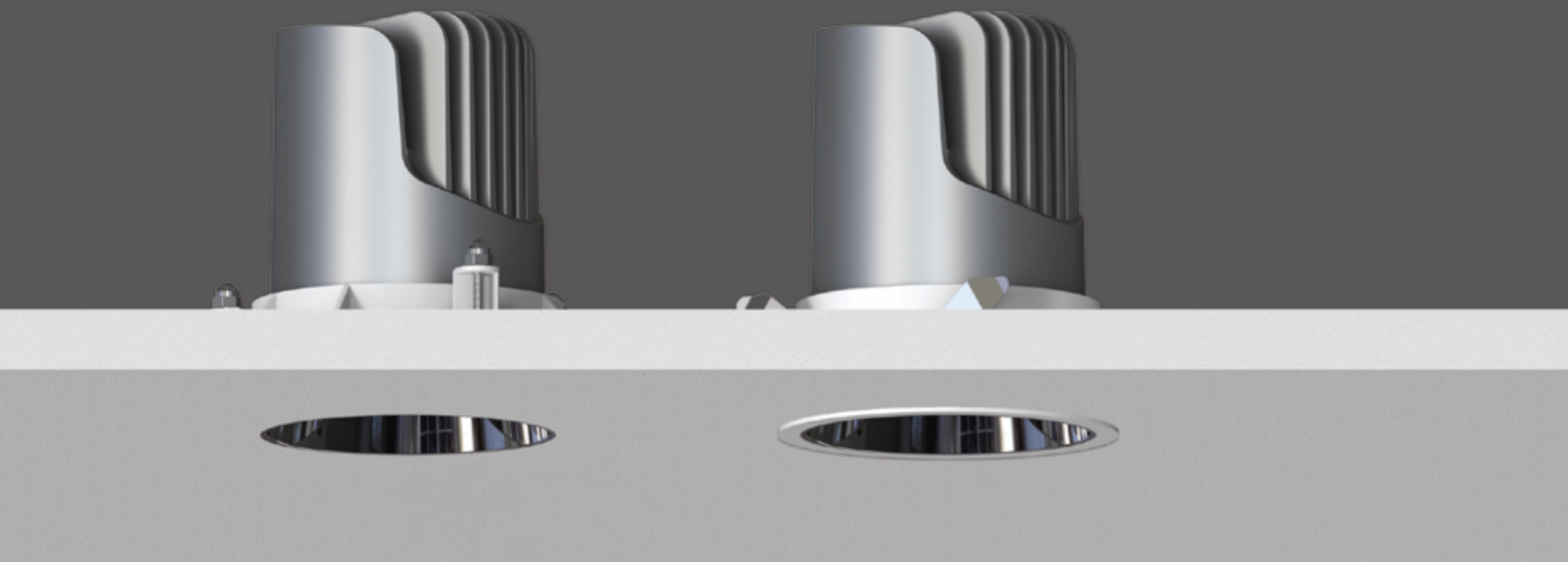


# Multi

trimless W1761LED  
trim 1761LED



## Quickinfo

GENERAL  
Recessed  
IP20~IP54

LED  
**CITIZEN**  
8W, 10W, 12W, 15W  
2700K, 3000K, 4000K, 5000K, TW  
50000h@L80  
CRI ≥ 90  
SDCM: 3

OPTICAL  
Direct illumination  
Beam angle 18° / 24° / 32° / 40°  
Optical accessories

ELECTRICAL  
NON-DIM,  
PHASE,  
1-10V,  
DALI,  
BLUETOOTH

PHYSICAL  
Aluminum



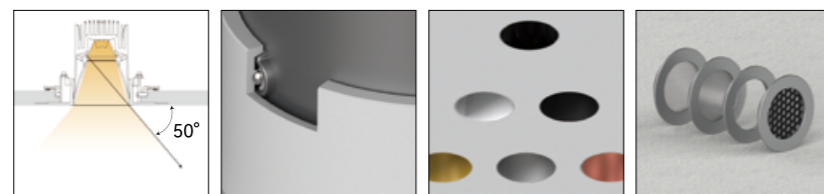
## Description

Exquisite physique design and powerful lighting effects provide flexible lighting with high color rendering and low glare. Higher power design can meet the needs of places with high brightness.

## Applications

Villas, Residence buildings, Galleries, Star-rated Hotels, Shopping centers, Exhibition halls, Bars, Restaurants, Offices, etc.

## Features



## Standard configuration

COLOUR TEMPERATURE  
2700K  
3000K

CONTROL  
NON-DIM

OPTICAL  
18° / 24° / 32° / 40°

COLOUR(housing)  
Gray+White

COLOUR(reflector)  
Dark chrome, Specular, Gray,  
White, Black

## Extended configuration

COLOUR TEMPERATURE  
4000K  
5000K

CONTROL  
DALI, PHASE, 1-10V

COLOUR(housing)  
Black, White

COLOUR(reflector)  
Rose gold, Orange, Gold

## Options on request

COLOUR TEMPERATURE  
TW (2700K~6000K)

CONTROL  
BLUETOOTH

## Parameters

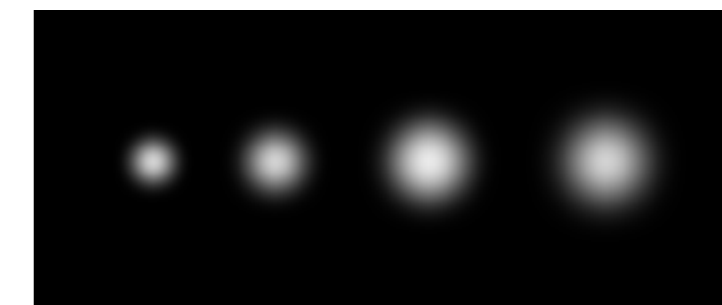
POWER	VF	CURRENT	CCT	LUMINOUS FLUX
8W	31V	250mA	2700K	550~633 lm
			3000K	612~699 lm
10W	31V	300mA	2700K	613~700 lm
			3000K	688~783 lm
12W	31V	350mA	2700K	696~788 lm
			3000K	783~891 lm
15W	31V	400mA	2700K	764~867 lm
			3000K	862~981 lm

Test standards:  
Citizen COB, CRI 90, tolerance range of electrical and optical parameters: ±10%.

## Light Distribution

15W 18° 3000K Ra90			15W 24° 3000K Ra90			15W 32° 3000K Ra90			15W 40° 3000K Ra90		
Height	Beam	Diameter	Height	Beam	Diameter	Height	Beam	Diameter	Height	Beam	Diameter
3	723	1.03	3	525	1.32	3	353	1.70	3	226	2.02
4	407	1.38	4	295	1.77	4	199	2.26	4	127	2.69
5	260	1.72	5	189	2.21	5	127	2.83	5	81	3.36
6	181	2.06	6	131	2.65	6	88	3.39	6	56	4.03
7	133	2.41	7	96	3.09	7	65	3.96	7	41	4.70

## Light effect and planning aid



Emphasis of objects or architectural elements.

## Technical drawing

