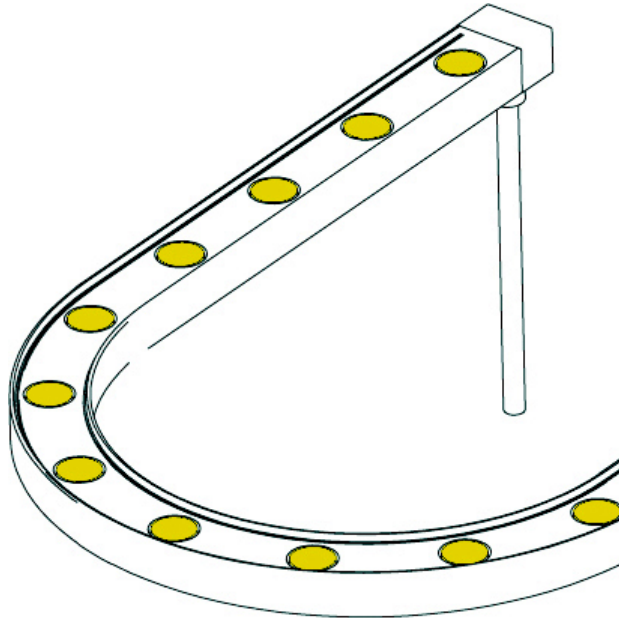


SPIRAL (Top & Side Bend)

IP67 SILICONE LED FLEX WALL WASHER / GRAZER
FOR INTERIOR, EXTERIOR APPLICATIONS



FEATURES

- IP67
- Horizontal Side & Vertical Top Bending
- Continuous Flexible Wall wash/ Grazer
- Customise Lengths (made to order)
- Operating Temp -40°C to + 65°C
- Remote mount 24VDC Drivers

Applications

- Interior, Exterior installation
- Facades

Optics

- Spot (13°)
- Flood (31°)
- Graze (15°x45°)

Colour Temperature Options

- 2700K, 3000K, 4000K
- (Other CCT - Special Request)

Colour Rendering Index

- CRI: >80
- CRI: >90 (upon request)

IP67	IK10	UV RESISTANT	FLAME RESISTANT	SALTWATER RESISTANT	3D BENDING
-------------	-------------	---------------------	------------------------	----------------------------	-------------------

Technical Information

Type	IP Rating	Luminous Flux** (3000K)	Bending Ø(mm)	Cutting Increment	Continuous Run
SPIRAL	IP67 / IP68	24w/m @ 1800lmm	> Ø150mm	250mm	Max 5mt (Single Feed) Max 10mt (Double Feed)

** Measure of the useful power emitted by a light source (amount of light produced out of the fixture).

Ordering

SPIRAL	-	24	-	27K	-	-	-	BTM	-	ND
Fitting		Output (watt)		Colour Temp		Optics		Cable Option		Dimming
SPIRAL		24 24watts		27K (2700K)		SP Spot		BTM (Bottom Feed)		ND (Non-dim)
				3K (3000K)		FL Flood		END (End Feed)		PC (Mains)
				4K (4000K)		GR. Graze		SIDEA (Side Feed)		DALI
								SIDEB (Side Feed)		DMX

SPIRAL (Top & Side Bend)

IP67 SILICONE LED FLEX WALL WASHER / GRAZER
FOR INTERIOR, EXTERIOR APPLICATIONS



Profile

<p>FLARE</p>	<p>3 dimensional bending (Side & Top Bend)</p>

Mounting Accessories

<p>TRU-C (Clips) (50mm) TRU (Extrusion) (1000mm)</p>	<p>TRU-SS-TOP (Stainless Steel Curve Extrusion) (1000mm)</p>

Cable Options

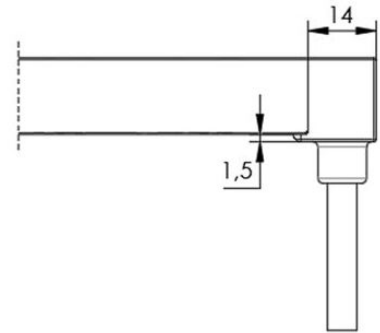
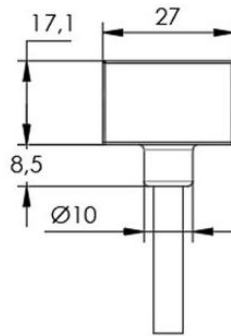
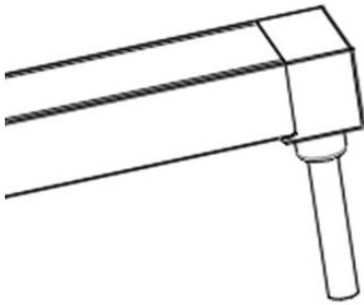
<p>BTM (Bottom Feed)</p>	<p>END (End Feed)</p>	<p>SIDEA / SIDEB (Side Feed)</p>

SPIRAL (Top & Side Bend)

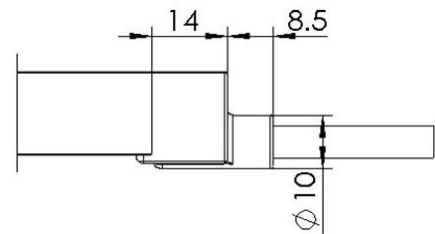
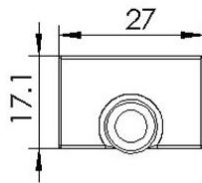
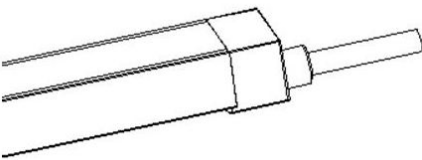
IP67 SILICONE LED FLEX WALL WASHER / GRAZER
FOR INTERIOR, EXTERIOR APPLICATIONS



Cable Feed - Bottom (BTM)



Cable Feed - End (END)



Cable Feed - Side (SideA / SideB)

