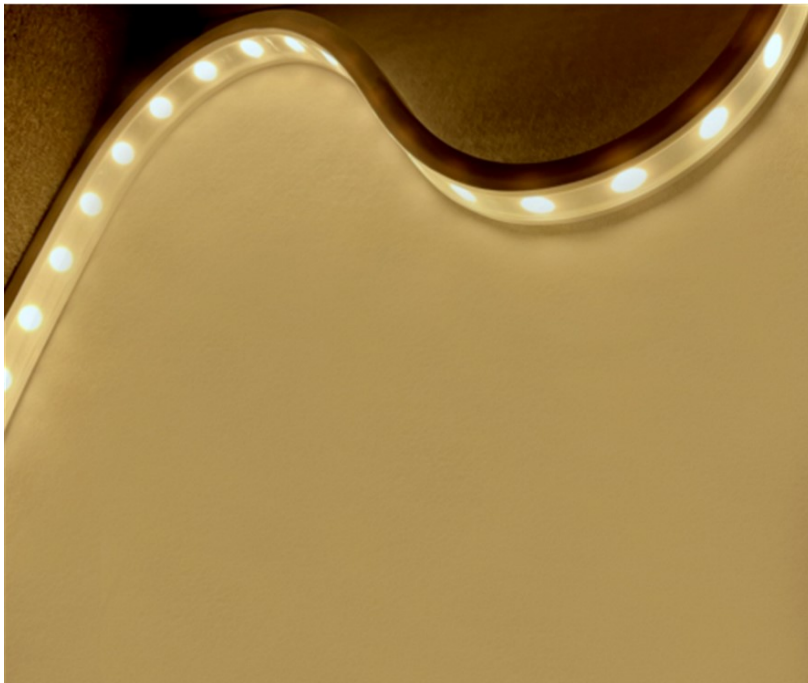


FLARE

IP67 SILICONE LED FLEX WALL WASHER / GRAZER
FOR INTERIOR, EXTERIOR APPLICATIONS



FEATURES

- IP67
- Vertical Top Bending
- Continuous Flexible Wall wash/ Grazer
- Customise Lengths (made to order)
- Operating Temp -40°C to + 65°C
- Remote mount 24VDC Drivers

Applications

- Interior, Exterior installation
- Facades

Optics




- Spot (13°)
- Flood (31°)
- Graze (15°x45°)

Colour Temperature Options

- 24W - 2700K, 3000K, 4000K
(Other CCT - Special Request)
- 24W - Tuneable White 3000K-6500K
- 24W - RGB

Colour Rendering Index

- CRI: >80
- CRI: >90 (upon request)

IP67	IK08	 UV RESISTANT	 FLAME RESISTANT	 SALTWATER RESISTANT
-------------	-------------	--	---	---

Technical Information

Type	IP Rating	Luminous Flux** (3000K)	Bending Ø(mm)	Cutting Increment	Continuous Run
FLARE	IP67	24w/m @ 1800Imm 36w/m @ 2500Imm (TW) 24W-3000K-6500K (RGB) 24W	> Ø200mm	250mm	Max 5mt (Single Feed) Max 10mt (Double Feed)

** Measure of the useful power emitted by a light source (amount of light produced out of the fixture).

Ordering

FLARE	-	-	27K	-	-	BTM	-	ND
Fitting	Output (watt)	Colour Temp	Optics	Cable Option	Dimming			
FLARE	24 24watts	27K (2700K)	SP Spot	BTM (Bottom Feed)	ND (Non-dim)			
	36 36watts	3K. (3000K)	FL Flood	END (End Feed)	PC (Mains)			
		4K (4000K)	GR. Graze	SIDEA (Side Feed)	DALI			
	24 24watts	TW (3500K-6500K)		SIDEB (Side Feed)	DMX			
	24 24watts	RGB			Casambi			

Specifications and Dimensions subject to change without notice
Consult your representative for additional options and finishes

FLARE

IP67 SILICONE LED FLEX WALL WASHER / GRAZER
FOR INTERIOR, EXTERIOR APPLICATIONS



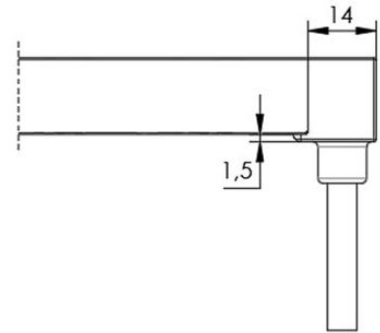
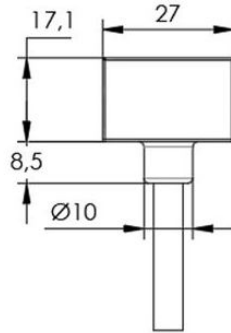
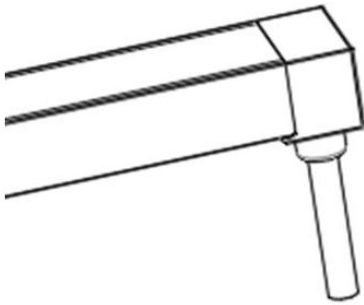
Profile		
FLARE	VERTICAL BEND (TOP)	
Mounting Accessories		
TRU-C (Clips) (50mm) TRU (Extrusion) (1000mm)	TRU-SS (Stainless Steel Curve Extrusion) (1000mm)	
Cable Options		
BTM (Bottom Feed)	END (End Feed)	SIDEA / SIDEB (Side Feed)

FLARE

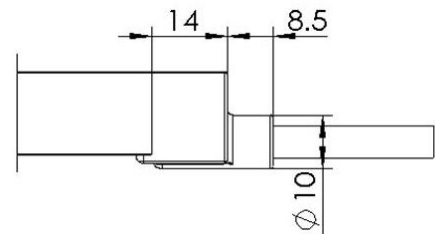
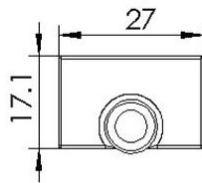
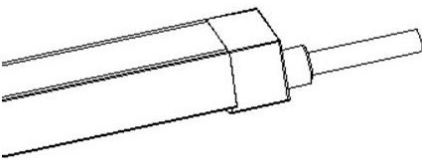
IP67 SILICONE LED FLEX WALL WASHER / GRAZER
FOR INTERIOR, EXTERIOR APPLICATIONS



Cable Feed - Bottom (BTM)



Cable Feed - End (END)



Cable Feed - Side (SideA / SideB)

