

Focus series

← Back

3702LED



Quickinfo

GENERAL

Track
IP20

LED

CITIZEN
15W, 20W, 25W
2700K, 3000K, 4000K, 5000K
50000h@L80
CRI ≥ 90
SDCM: 3

OPTICAL

Direct illumination
Beam angle 15° /24° /38°
Optical accessories

ELECTRICAL

NON-DIM
PHASE
DALI
BLUETOOTH

PHYSICAL

Aluminum



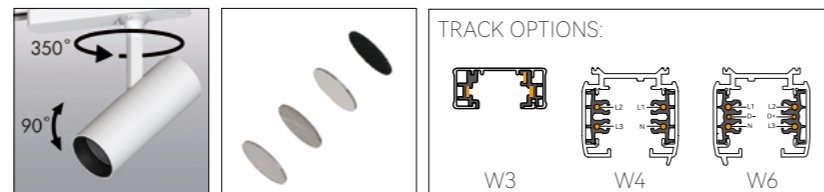
Description

Track design enables the lamp to slide freely in the track, and the power supply is completely hidden in the track, which can provide higher brightness and higher power.

Applications

Shopping malls, Museums, Galleries, Exhibition halls, Hotels, Restaurants, Bars, Convention centers, etc.

Features



Standard configuration

COLOUR TEMPERATURE
2700K
3000K

CONTROL
NON-DIM

OPTICAL
15° /24° /38°

COLOUR(housing)
White

COLOUR(reflector)
Black

Extended configuration

COLOUR TEMPERATURE
4000K
5000K

CONTROL
DALI, PHASE

COLOUR(housing)
Black

Options on request

CONTROL
BLUETOOTH

Parameters

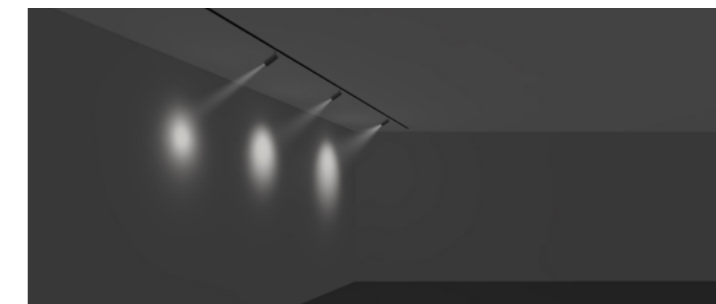
POWER	VF	CURRENT	CCT	LUMINOUS FLUX
15W	36V	350mA	2700K	945~1064 lm
			3000K	1072~1122 lm
20W	36V	500mA	2700K	1303~1468 lm
			3000K	1500~1570 lm
25W	36V	600mA	2700K	1622~1760 lm
			3000K	1716~1803 lm

Test standards:
Citizen COB, CRI 90, tolerance range of electrical and optical parameters: ±10%.

Light Distribution

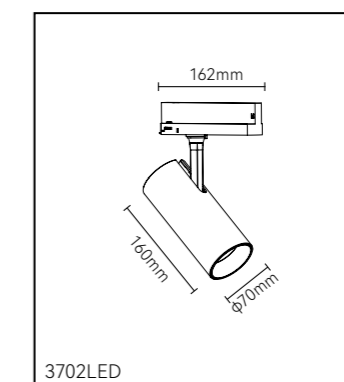
25W 15° 3000K Ra90			25W 24° 3000K Ra90			25W 38° 3000K Ra90		
HEIGHT	ILLUMINANCE	DIAMETER	HEIGHT	ILLUMINANCE	DIAMETER	HEIGHT	ILLUMINANCE	DIAMETER
3	1848	0.84	3	924	1.27	3	474	1.98
4	1039	1.12	4	520	1.69	4	267	2.65
5	665	1.41	5	333	2.11	5	171	3.31
6	462	1.69	6	231	2.53	6	119	3.97
7	340	1.97	7	170	2.96	7	87	4.63

Light effect and planning aid



Emphasis of objects or architectural elements.

Technical drawing



3702LED