

Focus series

← Back

3502LED



Quickinfo

GENERAL

Track
IP20

LED

CITIZEN

8W, 10W, 12W, 15W
2700K, 3000K, 4000K, 5000K
50000h@L80
CRI ≥ 90
SDCM: 3

OPTICAL

Direct illumination
Beam angle 15° /24° /38°
Optical accessories

ELECTRICAL

NON-DIM
PHASE
DALI
BLUETOOTH

PHYSICAL

Aluminum



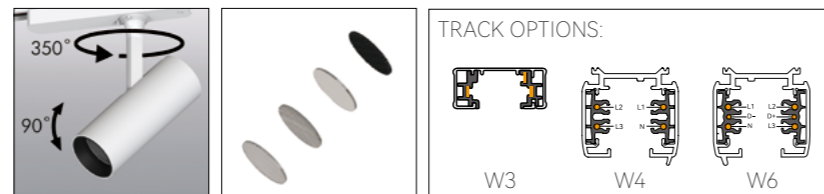
Description

Track design enables the lamp to slide freely in the track, the power supply is completely hidden in the track, so that the lamp and the track can be integrated perfectly.

Applications

Shopping malls, Museums, Galleries, Exhibition halls, Hotels, Restaurants, Bars, Convention centers, etc.

Features



Standard configuration

COLOUR TEMPERATURE
2700K
3000K

CONTROL
NON-DIM

OPTICAL
15° /24° /38°

COLOUR(housing)
White

COLOUR(reflector)
Black

Extended configuration

COLOUR TEMPERATURE
4000K
5000K

CONTROL
DALI, PHASE

COLOUR(housing)
Black

Options on request

CONTROL
BLUETOOTH

Parameters

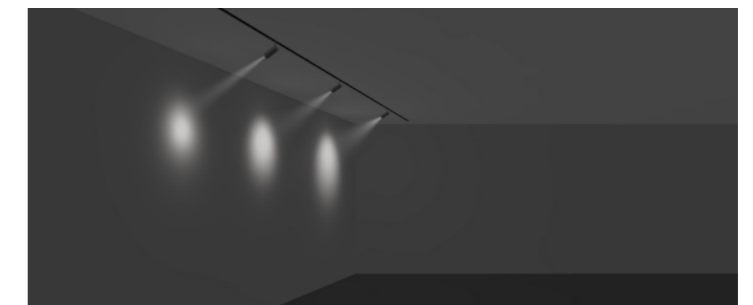
| POWER | VF | CURRENT | CCT | LUMINOUS FLUX |
|-------|-----|---------|-------|---------------|
| 8W | 31V | 250mA | 2700K | 630~661 lm |
| | | | 3000K | 632~664 lm |
| 10W | 31V | 300mA | 2700K | 705~734 lm |
| | | | 3000K | 740~779 lm |
| 12W | 31V | 350mA | 2700K | 802~825 lm |
| | | | 3000K | 821~864 lm |
| 15W | 31V | 400mA | 2700K | 895~922 lm |
| | | | 3000K | 920~971 lm |

Test standards:
Citizen COB, CRI 90, tolerance range of electrical and optical parameters: ±10%.

Light Distribution

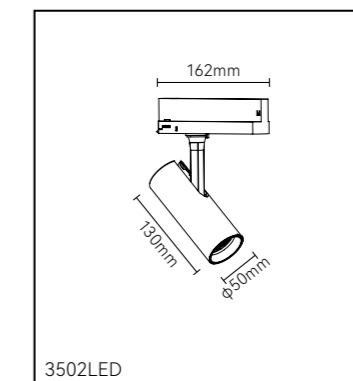
| 15W 15° 3000K Ra90 | | | 15W 24° 3000K Ra90 | | | 15W 38° 3000K Ra90 | | |
|--------------------|-------|------|--------------------|------|------|--------------------|------|------|
| Height | E照 | D照 | Height | E照 | D照 | Height | E照 | D照 |
| 1 | 10074 | 0.25 | 1 | 5448 | 0.42 | 1 | 2231 | 0.69 |
| 2 | 2519 | 0.51 | 2 | 1362 | 0.85 | 2 | 558 | 1.38 |
| 3 | 1119 | 0.76 | 3 | 605 | 1.27 | 3 | 248 | 2.07 |
| 4 | 630 | 1.02 | 4 | 341 | 1.69 | 4 | 139 | 2.76 |
| 5 | 403 | 1.27 | 5 | 218 | 2.11 | 5 | 89 | 3.45 |

Light effect and planning aid



Emphasis of objects or architectural elements.

Technical drawing



3502LED