

Mini LC series

← Back

Adjustable 1782LED



Quickinfo

GENERAL
Recessed
IP20

LED
OSRAM
7W
2700K, 3000K, 4000K, 5000K
50000h@L80
CRI ≥ 90
SDCM: 5

OPTICAL
Direct illumination
Beam angle
15° / 24° / 33° / 40° / 50° / 60° / 13° x 45°
Optical accessories

ELECTRICAL
NON-DIM
PHASE
1-10V
DALI
BLUETOOTH

PHYSICAL
Aluminum



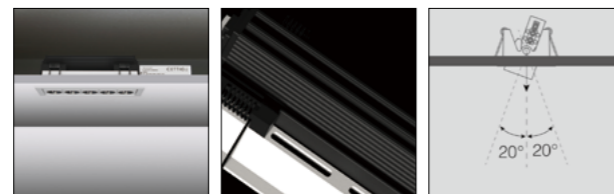
Description

Linear spotlight with three heads modelling and adjustable design can help you to accurately project light onto objects, highlighting individual areas or objects.

Applications

Villas, Residence buildings, Galleries, Star-rated Hotels, Shopping centers, Exhibition halls, Bars, Restaurants, Offices, etc.

Features



Standard configuration

COLOUR TEMPERATURE
2700K
3000K

CONTROL
NON-DIM

OPTICAL
15° / 24° / 33° / 40° / 50° / 13° x 45°

COLOUR(housing)
White

COLOUR(reflector)
Dark light

Extended configuration

COLOUR TEMPERATURE
4000K
5000K

CONTROL
DALI, PHASE, 1-10V

OPTICAL
60° (white reflector)

COLOUR(housing)
Black

COLOUR(reflector)
Specular, Black, White

Options on request

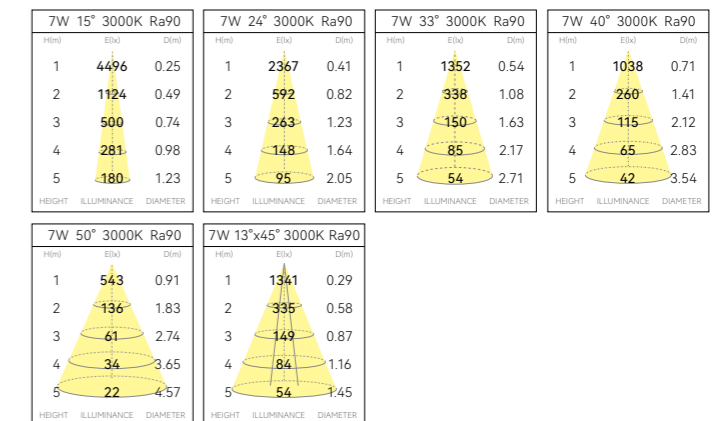
CONTROL
BLUETOOTH

Parameters

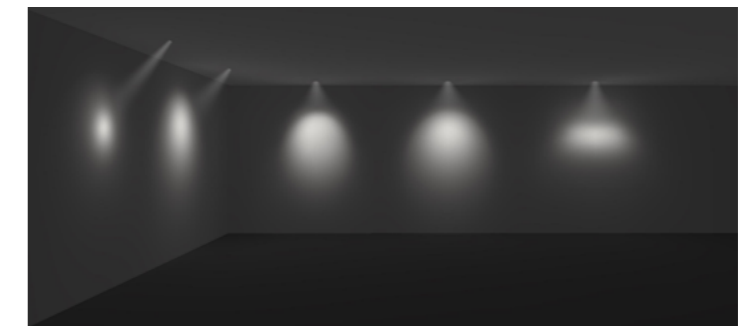
POWER	VF	CURRENT	CCT	LUMINOUS FLUX
7W	9V	700mA	2700K 3000K	312~446 lm 391~485 lm

Test standards:
OSRAM LED, CRI 90, tolerance range of electrical and optical parameters: ±10%.

Light Distribution

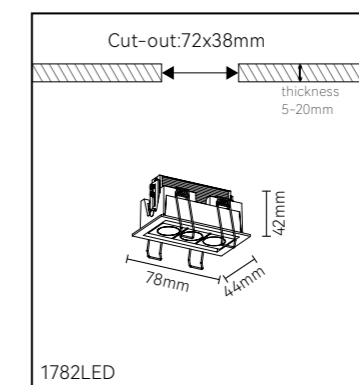


Light effect and planning aid



Emphasis of objects or architectural elements. Wide-beam illumination of larger objects or spatial zones.

Mounting dimension



1782LED