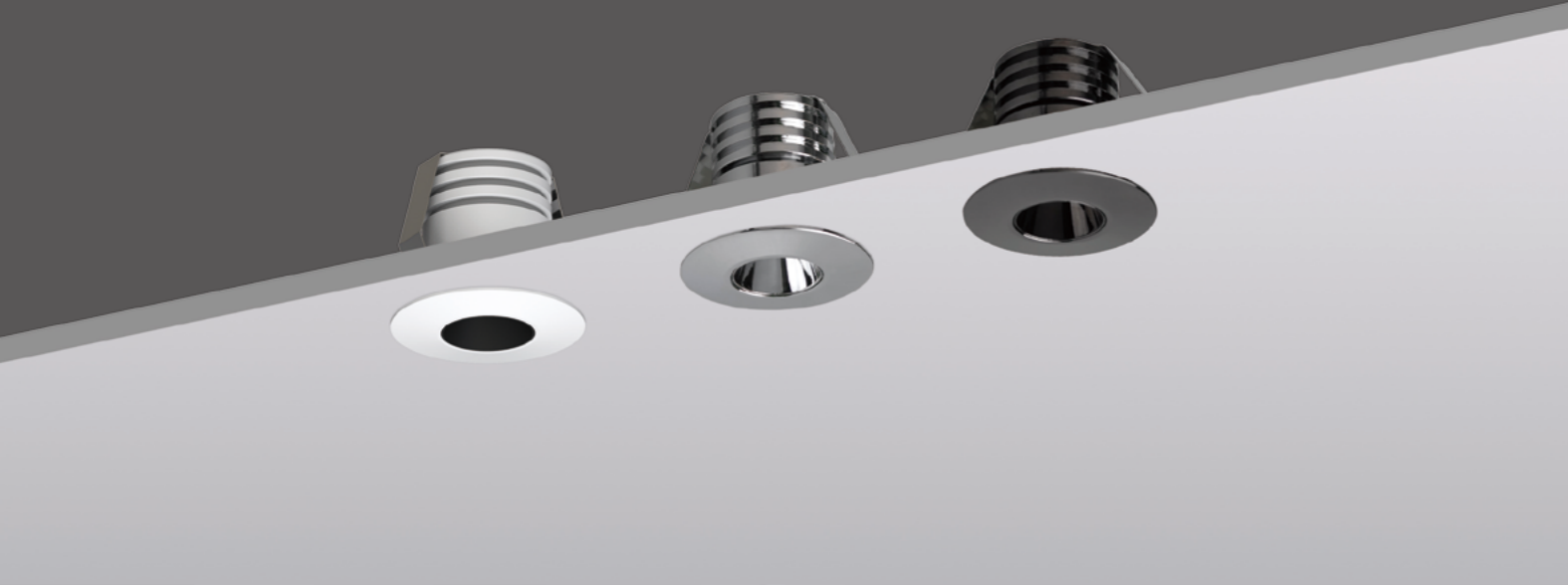


# Mini Spotlight

← Back

1394LED



## Quickinfo

GENERAL  
Recessed  
IP20

LED  
**CREE**  
1W, 3W  
2700K, 3000K, 4000K, 5000K  
50000h@L80  
CRI ≥ 90  
SDCM: 5

OPTICAL  
Direct illumination  
Beam angle 15° / 20° / 25° / 30°  
Optical accessories

ELECTRICAL  
NON-DIM,  
PHASE,  
1-10V,  
DALI,  
BLUETOOTH

PHYSICAL  
Aluminum



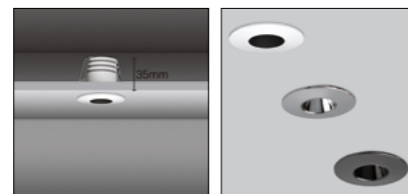
## Description

The direct illumination key projection design can achieve the highest protection level of IP44. White, specular chrome, dark chrome design can better combine with different materials.

## Applications

Showrooms, Galleries, Restaurants, Museum, Hotels, Bars, Shopping centers and retail stores, etc.

## Features



## Standard configuration

COLOUR TEMPERATURE  
2700K  
3000K

CONTROL  
NON-DIM

OPTICAL  
15° / 20° / 25° / 30°

COLOUR(housing)  
White, specular chrome,  
dark chrome

COLOUR(reflector)  
Black, specular chrome,  
dark chrome

## Extended configuration

COLOUR TEMPERATURE  
4000K  
5000K

CONTROL  
DALI, PHASE, 1-10V

## Options on request

CONTROL  
BLUETOOTH

## Parameters

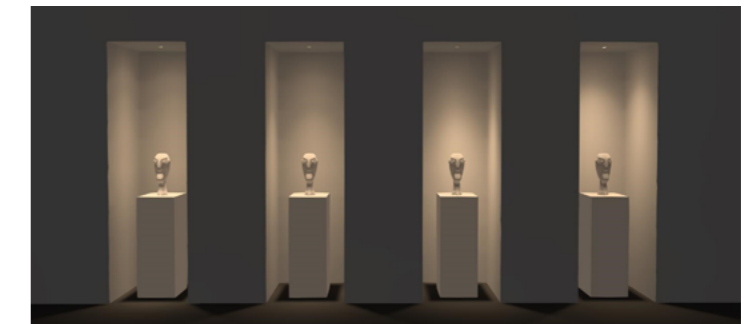
POWER	VF	CURRENT	CCT	LUMINOUS FLUX
1W	3V	350mA	2700K	71~88 lm
			3000K	79~89 lm
3W	3V	700mA	2700K	129~146 lm
			3000K	134~153 lm

Test standards:  
CREE LED, CRI 90, tolerance range of electrical and optical parameters: ±10%.

## Light Distribution

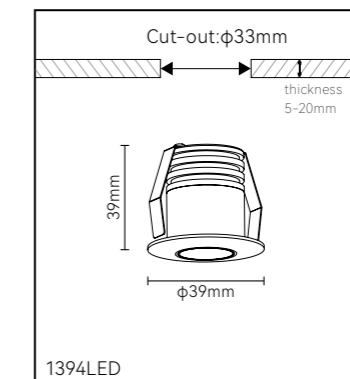
3W 15° 3000K Ra90			3W 20° 3000K Ra90			3W 25° 3000K Ra90			3W 30° 3000K Ra90		
Hght	Elx	Dmtr	Hght	Elx	Dmtr	Hght	Elx	Dmtr	Hght	Elx	Dmtr
1	1067	0.29	1	741	0.37	1	691	0.46	1	442	0.53
2	267	0.57	2	185	0.74	2	173	0.92	2	110	1.07
3	119	0.86	3	82	1.11	3	77	1.37	3	49	1.60
4	67	1.14	4	46	1.48	4	43	1.83	4	28	2.13
5	43	1.43	5	30	1.86	5	28	2.29	5	18	2.67

## Light effect and planning aid



Emphasis of objects or architectural elements.

## Mounting dimension



1394LED