

# Mini LC series

← Back

Adjustable 12181LED



## Quickinfo

GENERAL  
Recessed  
IP20

LED  
**OSRAM**  
24W  
2700K, 3000K, 4000K, 5000K  
50000h@L80  
CRI ≥ 90  
SDCM: 5

OPTICAL  
Direct illumination  
Beam angle  
15° / 24° / 33° / 40° / 50° / 60° / 13° x 45°  
Optical accessories

ELECTRICAL  
NON-DIM  
PHASE  
1-10V  
DALI  
BLUETOOTH

PHYSICAL  
Aluminum



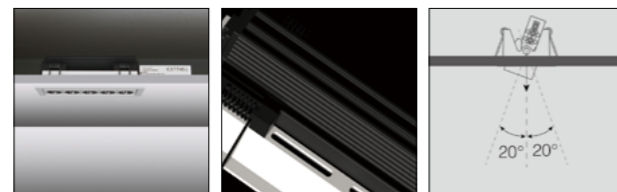
## Description

Linear spotlight with ten heads modelling and adjustable design can help you to project light onto higher and larger objects, provide more luminous flux, and at the same time, can project light to a greater distance.

## Applications

Villas, Residence buildings, Galleries, Star-rated Hotels, Shopping centers, Exhibition halls, Bars, Restaurants, Offices, etc.

## Features



## Standard configuration

COLOUR TEMPERATURE  
2700K  
3000K

CONTROL  
NON-DIM

OPTICAL  
15° / 24° / 33° / 40° / 50° / 13° x 45°

COLOUR(housing)  
White + Black

COLOUR(reflector)  
Dark light

## Extended configuration

COLOUR TEMPERATURE  
4000K  
5000K

CONTROL  
DALI, PHASE, 1-10V

OPTICAL  
60° (white reflector)

COLOUR(housing)  
Black, White

COLOUR(reflector)  
Specular, Black, White

## Options on request

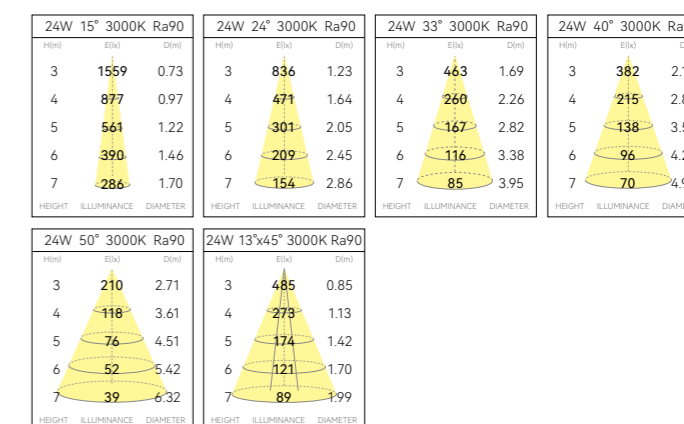
CONTROL  
BLUETOOTH

## Parameters

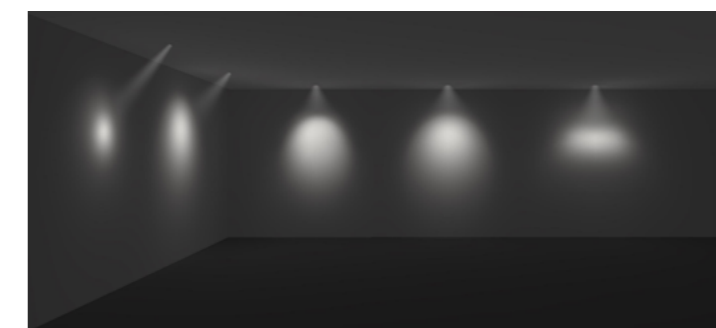
POWER	VF	CURRENT	CCT	LUMINOUS FLUX
24W	30V	700mA	2700K 3000K	1101~1410 lm 1332~1677 lm

Test standards:  
OSRAM LED, CRI 90, tolerance range of electrical and optical parameters: ±10%.

## Light Distribution

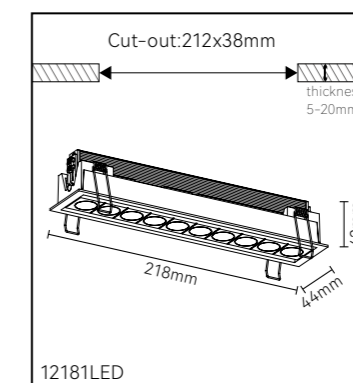


## Light effect and planning aid



Emphasis of objects or architectural elements. Wide-beam illumination of larger objects or spatial zones.

## Mounting dimension



12181LED